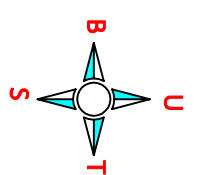
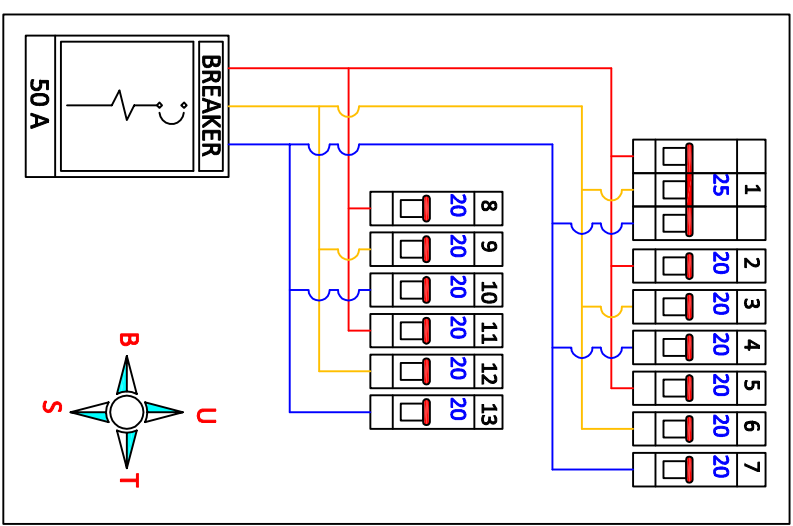
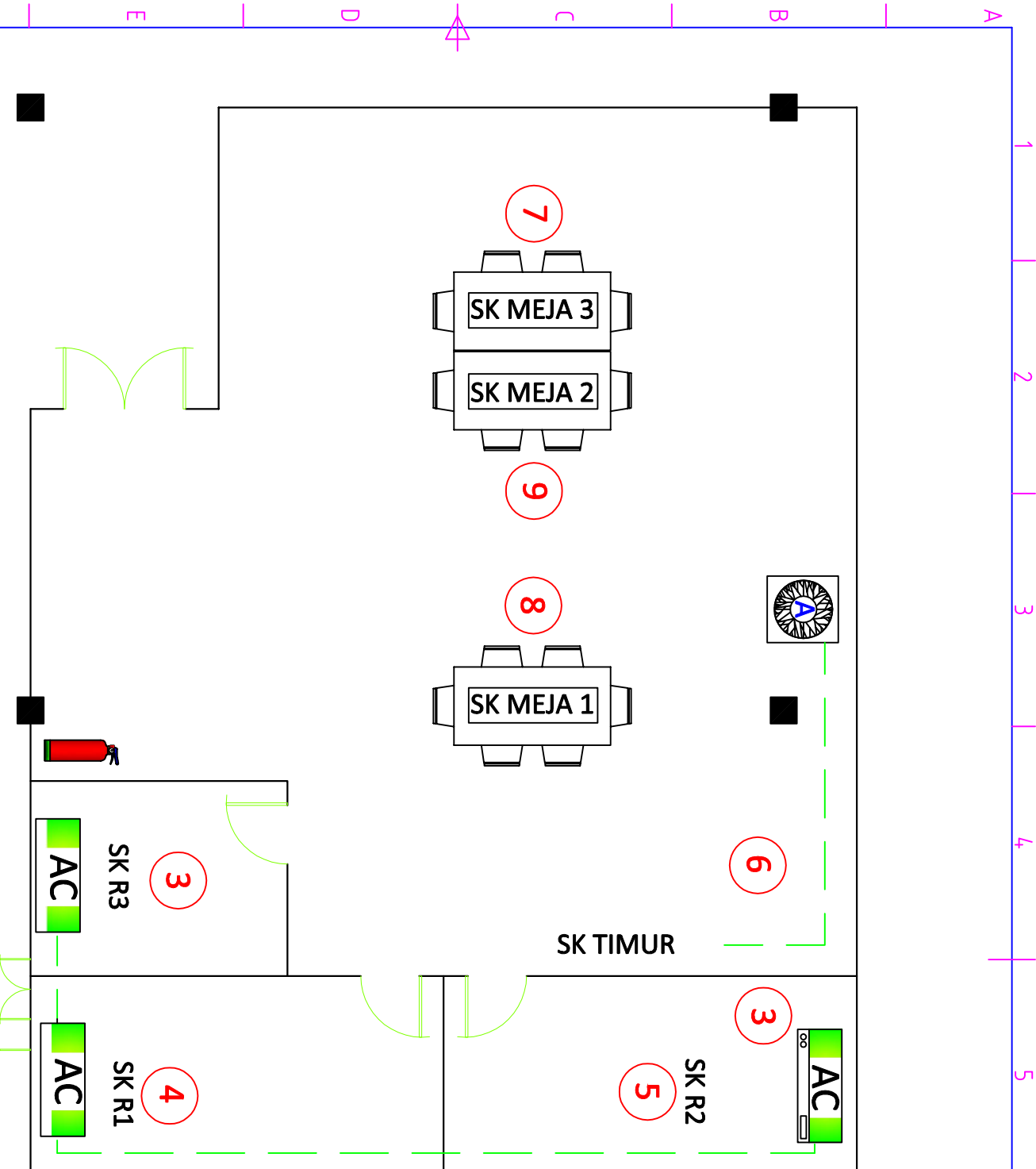


KETERANGAN PP/LP

- 1. SPACE
- 2. SK AC
- 3. AC + SK R3
- 4. SK R1
- 5. SK R2
- 6. SK TIMUR + EXHAUST
- 7. SK MEJA 3
- 8. SK MEJA 1
- 9. SK MEJA 2
- 10. SK LAMPU
- 11. SPACE
- 12. SPACE
- 13. SPACE



KETERANGAN
 • A = EXHAUST

Drawn By :
 1. AGUS RUBYANTO,ST.
 2. FAUZI,ST.

Date: 12/12/18
 Approved By :
 1. JUWARI,ST.,M.Fng.,Ph.D.
 2. SETYO GUNAWAN,ST.,Ph.D.

Date: File Name :
 Instalasi Listrik
 Gedung Ndwg

GEDUNG N
 DEPARTEMEN TEKNIK KIMIA

LAB. THERMODINAMIKA
 INSTITUT TEKNOLOGI SEPULUH NOPEMBER

Floor: 3rd
 Revision: 0