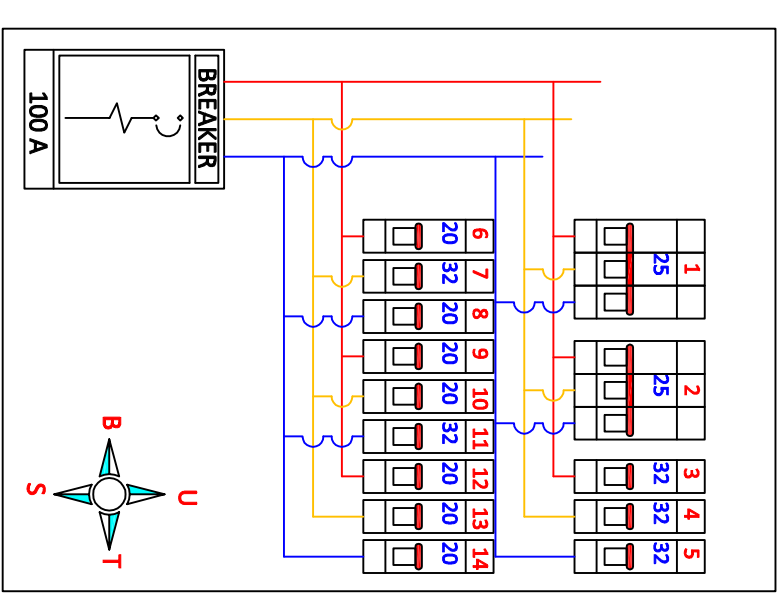
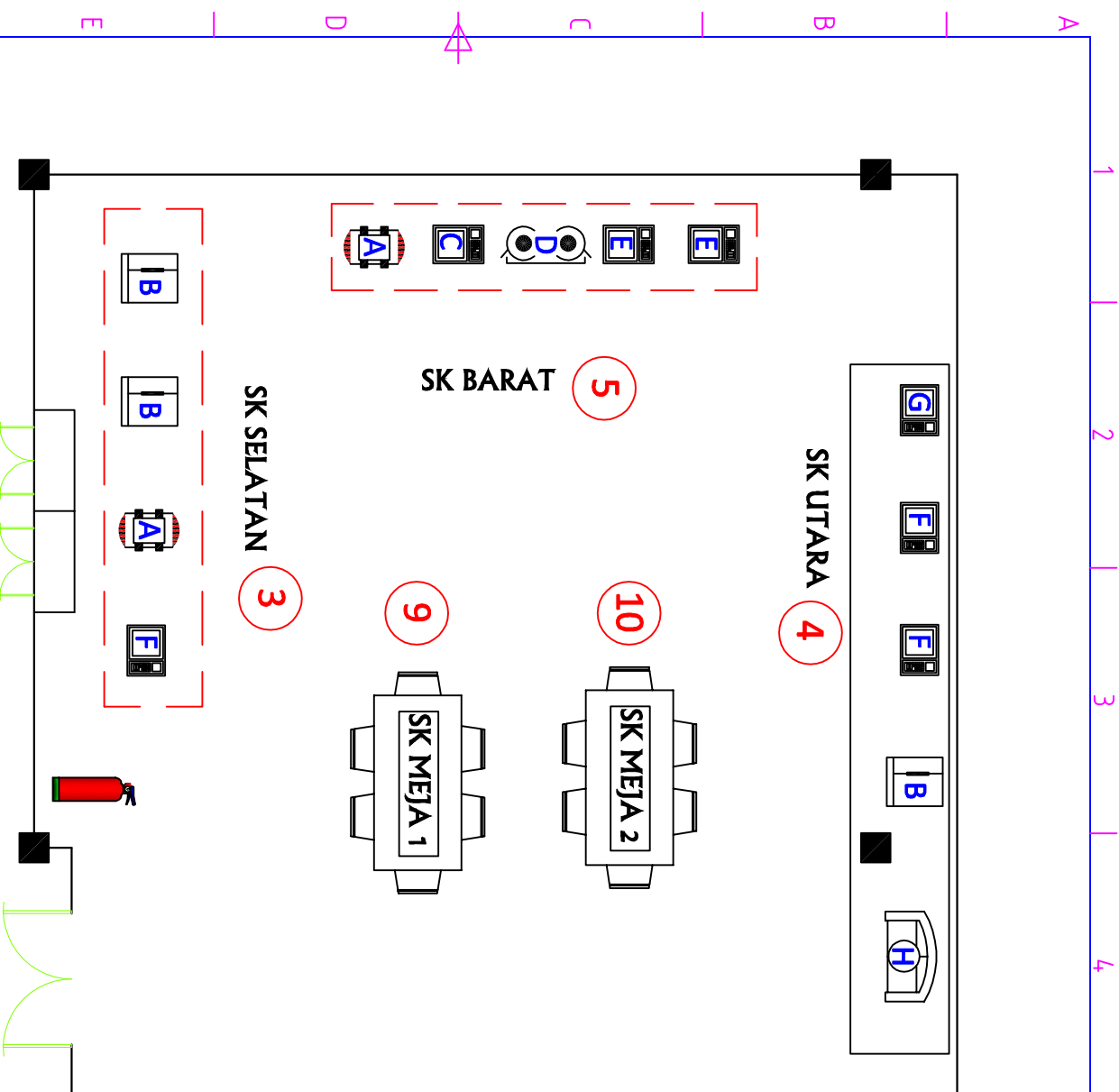


KETERANGAN PP/LP

- 1. SPACE
- 2. AUTOCLAVE
- 3. SK SELATAN
- 4. SK UTARA
- 5. SK BARAT
- 6. SK LAMPU
- 7. SK R1
- 8. SK R2
- 9. SK MEJA 1
- 10. SK MEJA 2
- 11. SK AC
- 12. SK R. GC
- 13. SPACE
- 14. SPACE



KETERANGAN

- A = AUTOCLAVE
- B = LEMARI ES
- C = OVEN
- D = NERACA
- E = CENTRIFUGAL
- F = INKUBATOR
- G = FURNACE
- H = KAMAR ASAM

Drawn By :	1. AGUS RUBYANTO,ST. 2. FAUZI,ST.	Date	12/12/18	Approved By :	1. JUWARI,S.T.,M.Eng.,Ph.D. 2. SETIYO GUNAWAN,S.T.,Ph.D.	Date		File Name :	Instalasi Listrik Gedung Ndwg
------------	--------------------------------------	------	----------	---------------	---	------	--	-------------	----------------------------------

GEDUNG N		LAB. TEKNOLOGI BIO KIMIA
DEPARTEMEN TEKNIK KIMIA		
INSTITUT TEKNOLOGI SEPULUH NOPEMBER	Floor 3rd	Revision 0