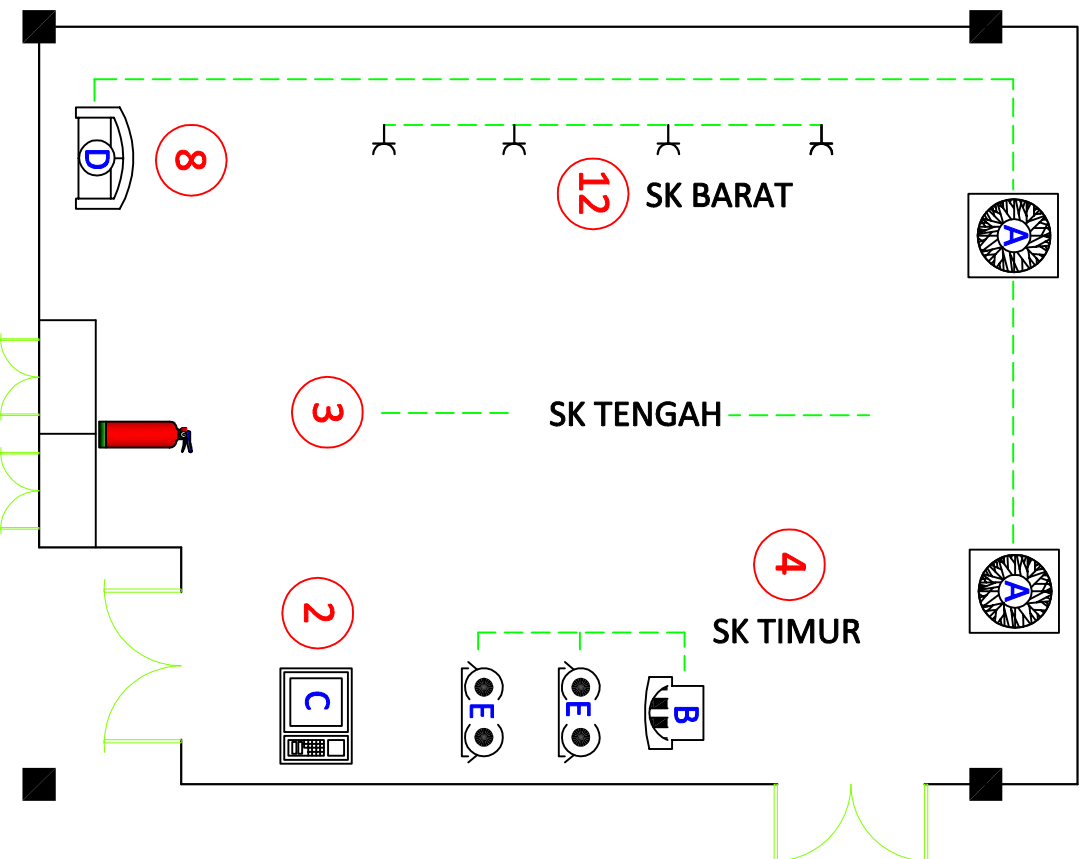


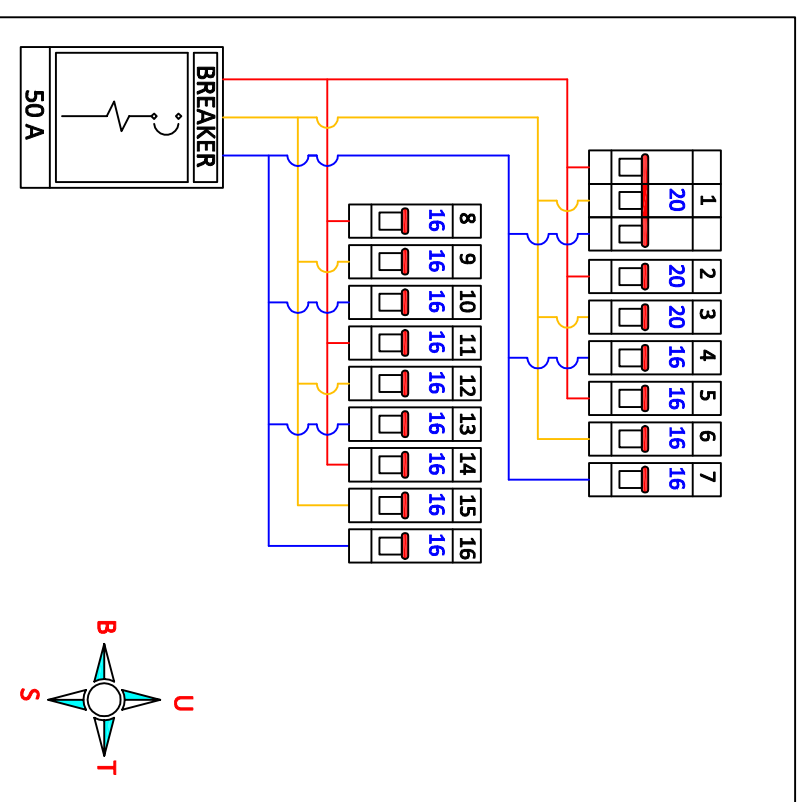
KETERANGAN PP/LP

- 1. POWER GUDANG BAHAN
- 2. SK FURNACE
- 3. SK TENGAH
- 4. SK TIMUR
- 5. LAMPU
- 6. GUDANG BAHAN
- 7. GUDANG BAHAN
- 8. BLOWER DAN KAMAR ASAM
- 9. LAMPU GUDANG BAHAN
- 10. SPACE
- 11. SPACE
- 12. SK BARAT
- 13. SPACE
- 14. SPACE
- 15. SPACE
- 16. SPACE



KETERANGAN
SK = STOP KONTAK

- KETERANGAN**
- A = EXHAUST
 - B = HOT PLATE
 - C = FURNACE
 - D = KAMAR ASAM
 - E = NERACA



GEDUNG N DEPARTEMEN TEKNIK KIMIA	Drawn By : 1. AGUS RUBIYANTO,ST. 2. FAUZI,ST.	Date 12/12/18	Approved By : 1. JUWARI,S.T.,MEng.,Ph.D. 2. SETTYO GUNAWAN,S.T.,Ph.D.	Date	File Name : Instalasi Listrik Gedung Ndwg
	16	16		16	16

LAB. TEKNOLOGI AIR INDUSTRI 2

INSTITUT TEKNOLOGI SEPULUH NOPEMBER

Floor : 2nd
Revision : 0