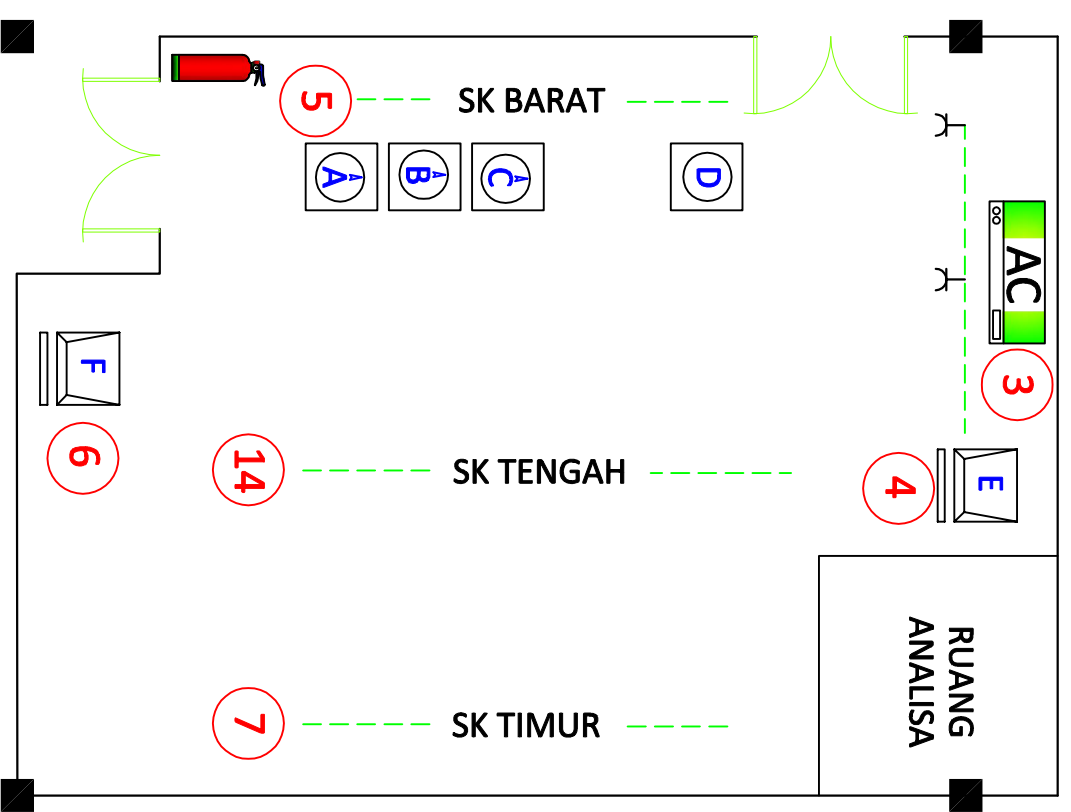
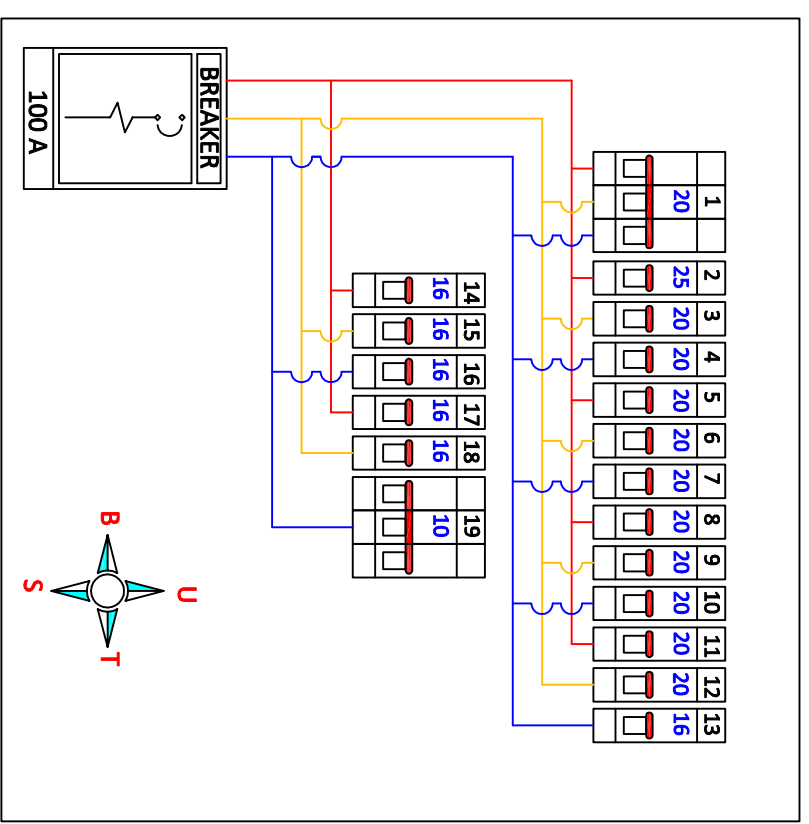


KETERANGAN PP/LP

- 1. SPACE
- 2. OVEN
- 3. AC
- 4. KOMPUTER UTARA
- 5. SK BARAT
- 6. KOMPUTER SELATAN
- 7. SK TIMUR
- 8. SPACE
- 9. SPACE
- 10. SPACE
- 11. SPACE
- 12. SPACE
- 13. SPACE
- 14. SK TENGAH
- 15. SPACE
- 16. LAMPU MEJA TIMUR
- 17. SPACE
- 18. SPACE
- 19. SPACE



- KETERANGAN**
- A = DO METER
 - B = CONDUCTIVITY METER
 - C = SPECTROPHOTO METER
 - D = HPLC
 - E = KOMPUTER UTARA
 - F = KOMPUTER SELATAN



Drawn By :	1. AGUS RUBYANTO,ST. 2. FAUZI,ST.	Date	12/12/18	Approved By :	1. JUWARI,ST.,M.Eng.,Ph.D. 2. SETIYO GUNAWAN,ST.,Ph.D.	Date		File Name :	Instalasi Listrik Gedung N.dwg
------------	--------------------------------------	------	----------	---------------	---	------	--	-------------	-----------------------------------

GEDUNG N		LAB. TEKNOLOGI AIR INDUSTRI 1	
DEPARTEMEN TEKNIK KIMIA		INSTITUT TEKNOLOGI SEPULUH NOPEMBER	
Floor	2nd	Revision	0