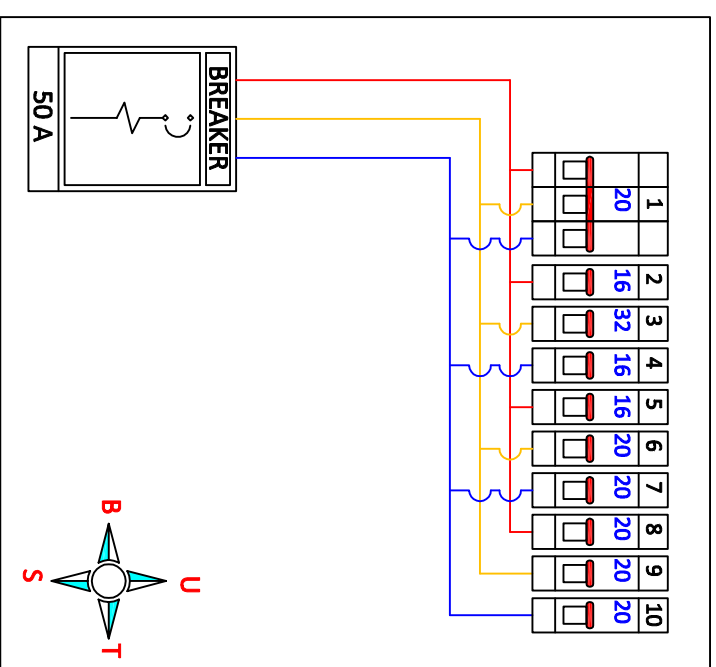


- KETERANGAN**
- A = EXHAUST
 - B = WATER BATH
 - C = HOT PLATE
 - D = NERACA
 - E = OVEN
 - F = LEMARI ES
 - G = KAMAR ASAM

KETERANGAN
 SK = STOP KONTAK

KETERANGAN PP/LP

- 1. SPACE
- 2. SPACE
- 3. SK BAWAH
- 4. SK LAMPU
- 5. SK AC
- 6. SK TENGAH
- 7. SK TIMUR
- 8. SK R2
- 9. SK BARAT
- 10. SK R1



Drawn By : 1. AGUS RUBIYANTO,ST. 2. FAUZI,ST.		Date 12/12/18		Approved By : 1. JUWARI,ST.,MEng.,Ph.D. 2. SETIYO GUNAWAN,ST.,Ph.D.		Date 		File Name : Instalasi Listrik Gedung Ndng			
GEDUNG N DEPARTEMEN TEKNIK KIMIA				LAB. TEKNIK REAKSI KIMIA				Floor 		Revision 0	