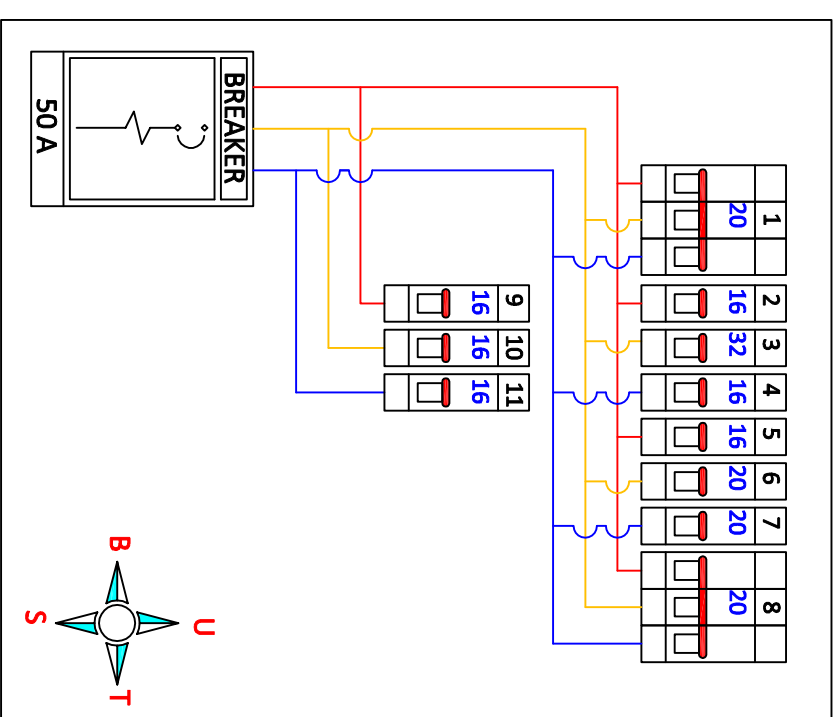
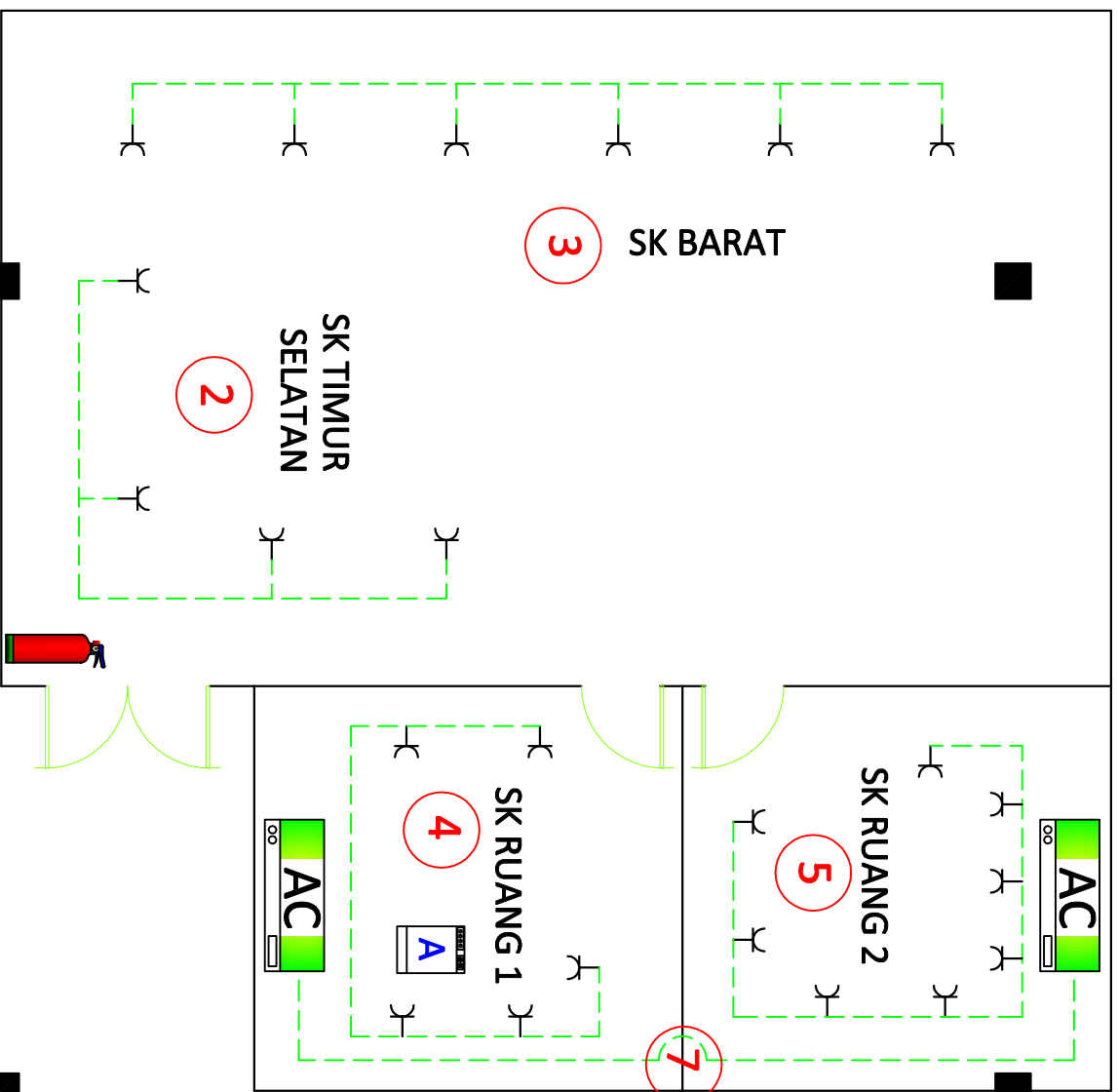


### KETERANGAN PP/LP

- 1. SPACE
- 2. SK TIMUR SELATAN
- 3. SK BARAT
- 4. SK RUANG 1
- 5. SK RUANG 2
- 6. SK LAMPU
- 7. SK AC
- 8. SPACE
- 9. POWER STUDENT CENTRE
- 10. SPACE
- 11. SPACE



**KETERANGAN**  
**SK = STOP KONTAK**  
**A = DISPENSER**

Drawn By :  
 1. AGUS RUBYANTO,ST.  
 2. FAUZIST.

Date  
 12/12/18

Approved By :  
 1. JUWARI,S.T.,MEng.,Ph.D.  
 2. SETIYO GUNAWAN,S.T.,Ph.D.

Date  
 File Name :  
 Instalasi Listrik  
 Gedung Ndwg

**GEDUNG N**  
**DEPARTEMEN TEKNIK KIMIA**

**LAB. PERPINDAHAN KIMIA DAN PANAS**  
 INSTITUT TEKNOLOGI SEPULUH NOPEMBER

Floor  
 1st

Revision  
 0