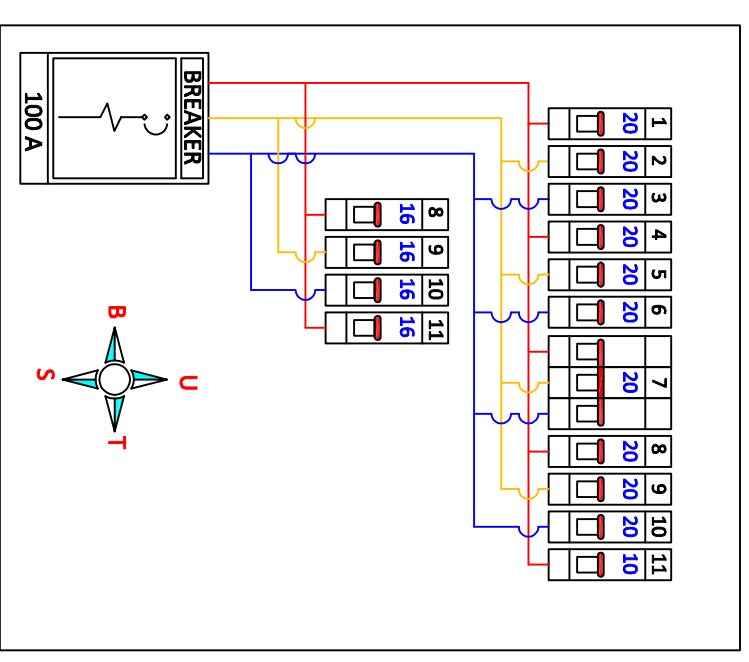
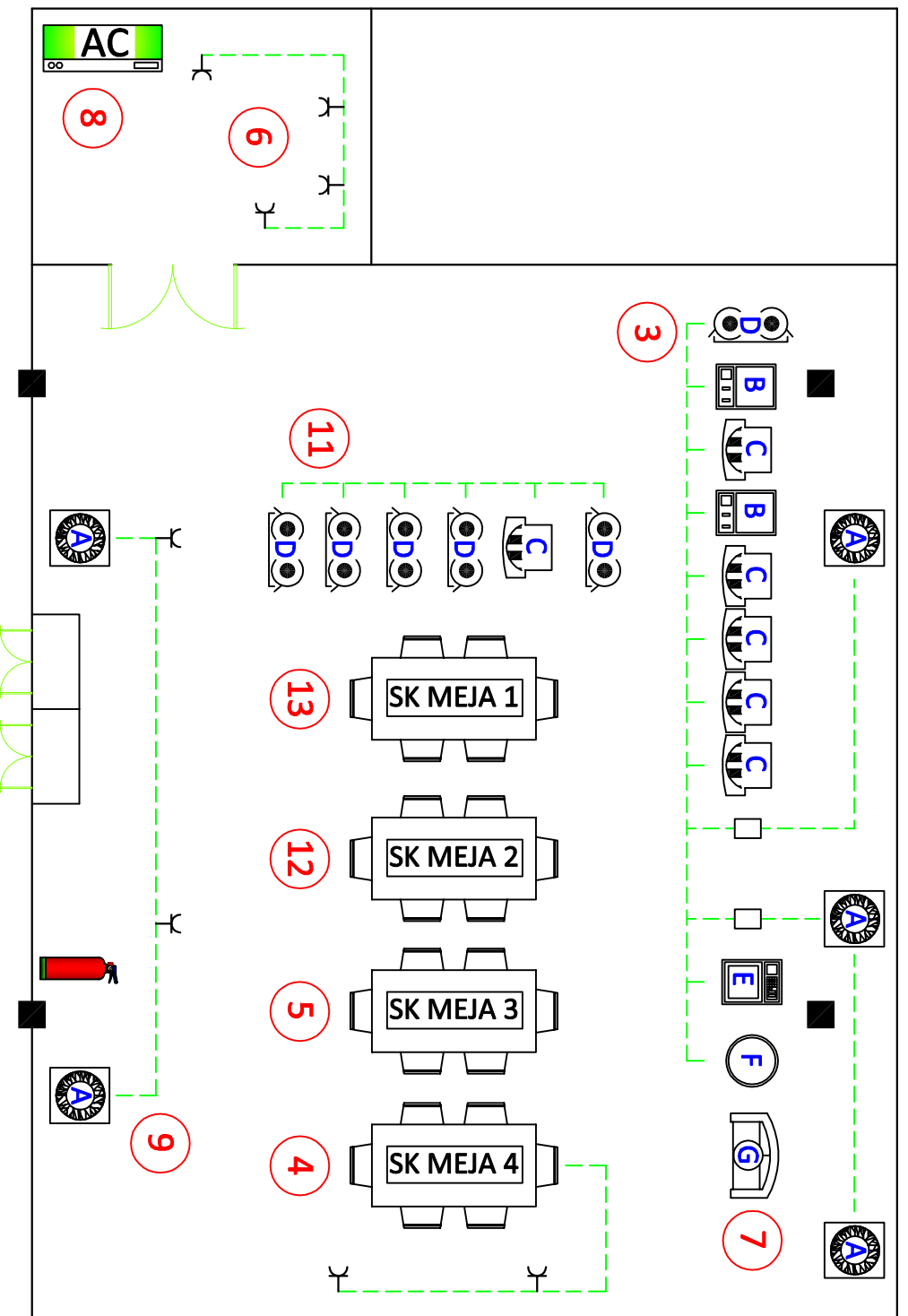


**KETERANGAN PP/LP**

1. LAMPU MEJA (2,4)
2. LAMPU MEJA (1,3,5)
3. BLOWER UTARA
4. SK MEJA 4 + DINDING
5. SK MEJA 3
6. LAMPU + SK RUANGAN
7. KAMAR ASAM
8. AC RUANGAN
9. SK DINDING
10. SPACE
11. SK MEJA BARAT
12. SK MEJA 2
13. SK MEJA 1
14. SPACE
15. SPACE



**KETERANGAN**  
SK = STOP KONTAK

- KETERANGAN**
- A = EXHAUST
  - B = DESIKATOR
  - C = HOT PLATE
  - D = NERACA
  - E = OVEN
  - F = HEATER
  - G = KAMAR ASAM

Drawn By :  
1. AGUS RUBYANTO,ST.  
2. FAUZI,ST.

Date  
12/12/18

Approved By :  
1. JUWARI,S.T.,M.Eng.,Ph.D.  
2. SETIYO GUNAWAN,S.T.,Ph.D.

Date

File Name :  
Instalasi Listrik  
Gedung Ndwg

**GEDUNG N**

**DEPARTEMEN TEKNIK KIMIA**

**LAB. KIMIA FISIKA**

INSTITUT TEKNOLOGI SEPULUH NOPEMBER

Floor :  
2nd

Revision  
0