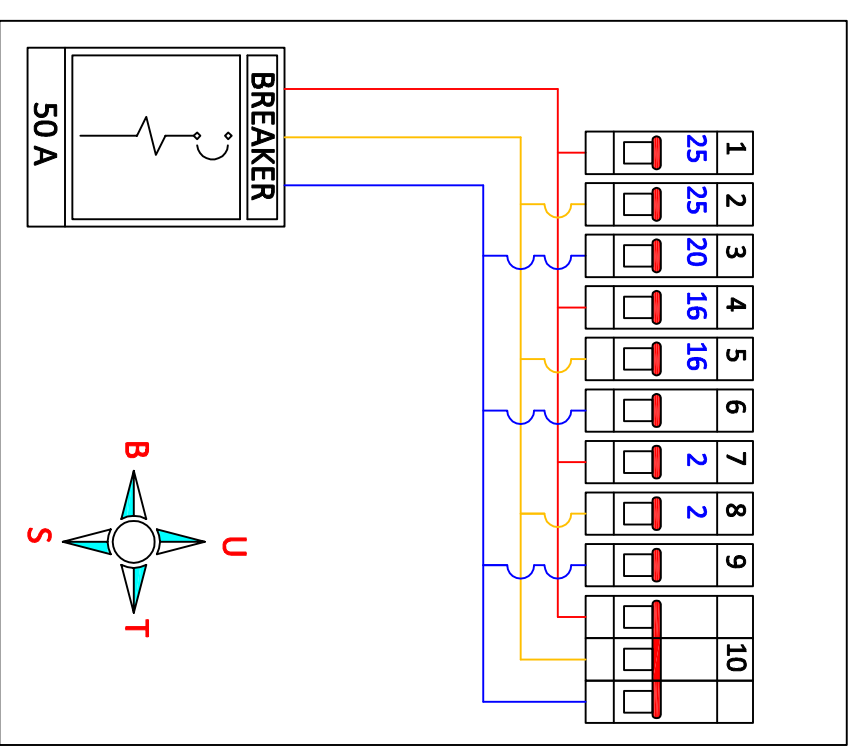
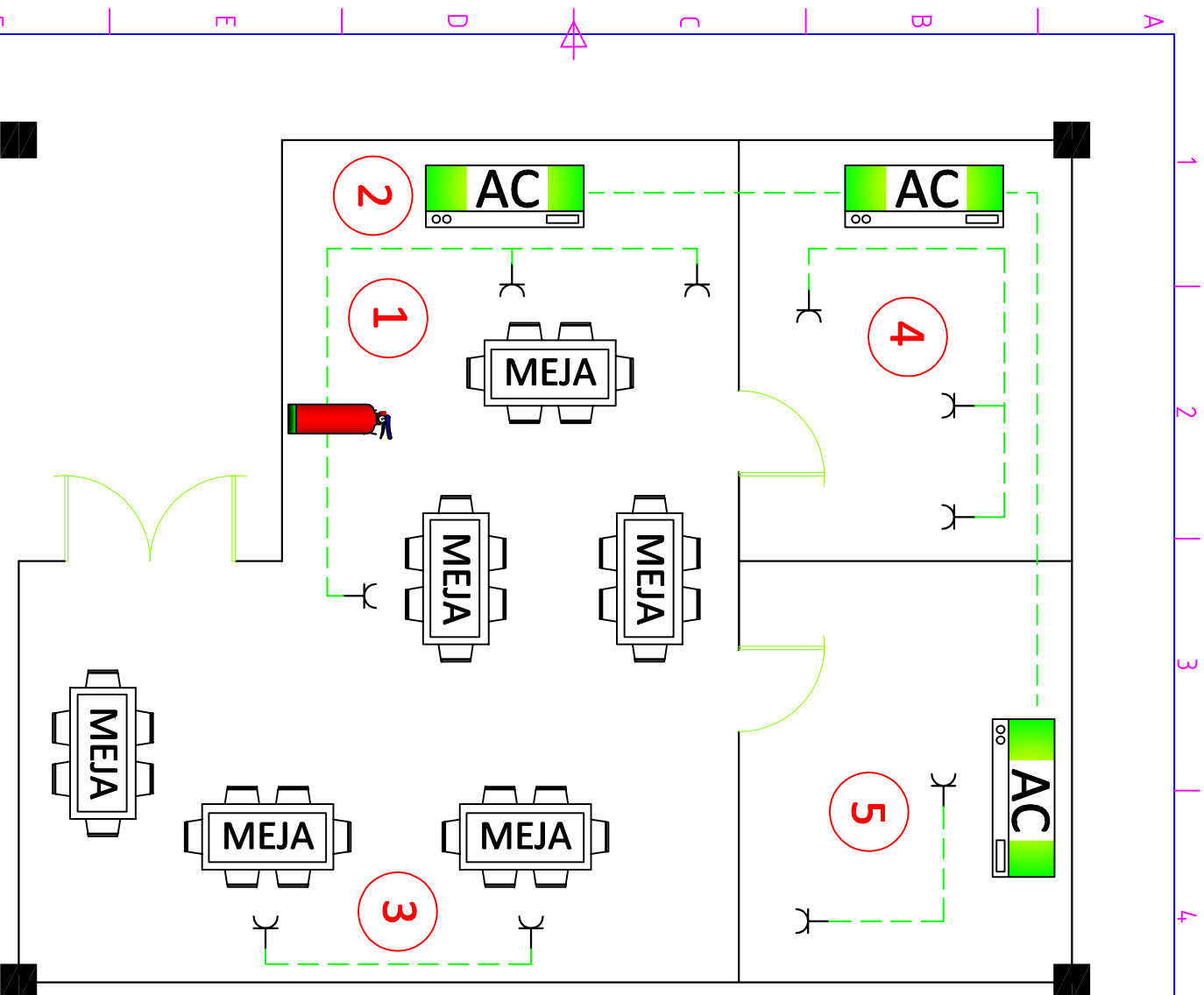


KETERANGAN PP/LP

- 1. RUANG 1
- 2. AC
- 3. RUANG 2
- 4. RUANG 3
- 5. RUANG 4
- 6. SPACE
- 7. LAMPU
- 8. LAMPU KAMAR
- 9. SPACE
- 10. SPACE



Drawn By :
1. AGUS RUBIYANTO,ST.
2. FAUZI,ST.

Date
12/12/18

Approved By :
1. JUWARI,ST.,MENG.,PH.D.
2. SETIYO GUNAWAN,ST.,PH.D.

Date

File Name :
Instalasi Listrik
Gedung N.dwg

GEDUNG N
DEPARTEMEN TEKNIK KIMIA

LAB. ELEKTRO KIMIA
INSTITUT TEKNOLOGI SEPULUH NOPEMBER

Floor
4th

Revision
0