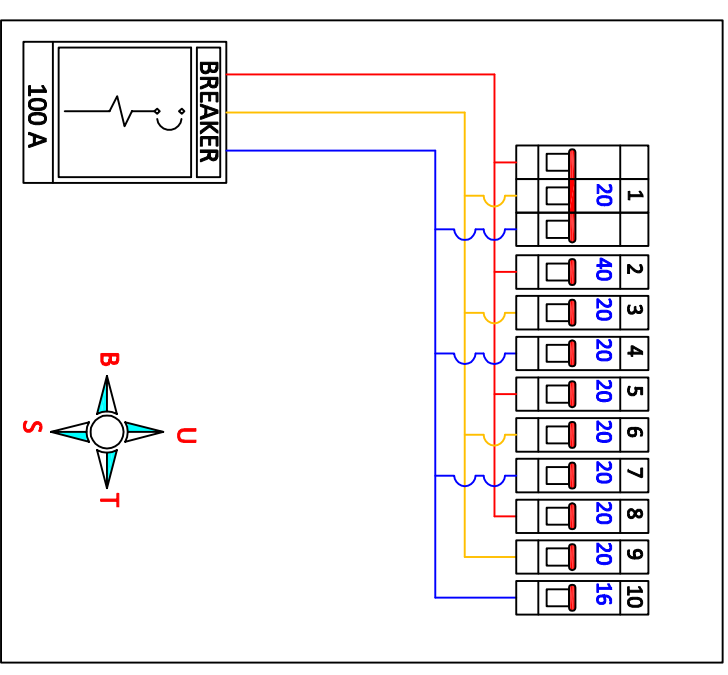
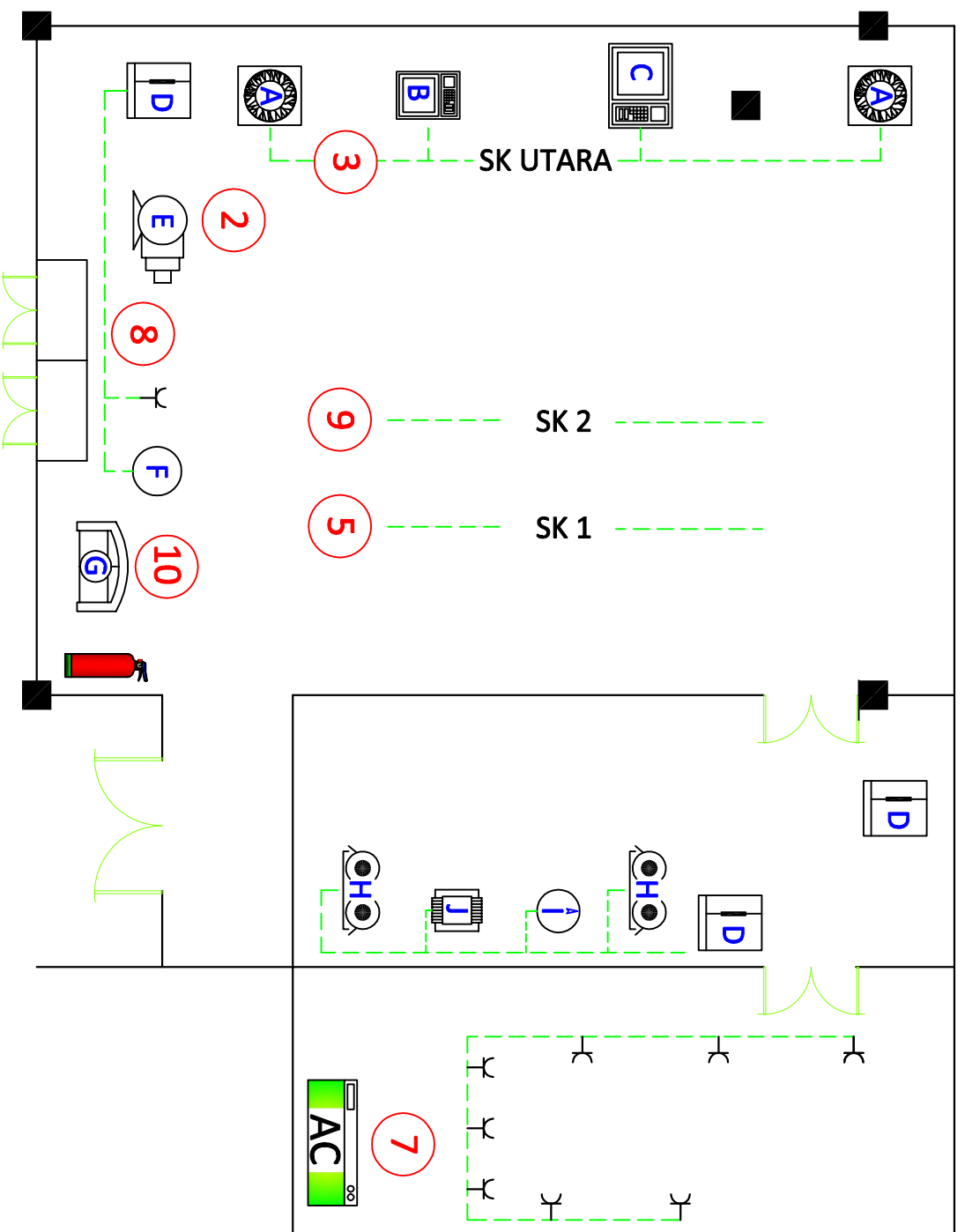


**KETERANGAN PP/LP**

- 1. SPACE
- 2. MESIN
- 3. SK UTARA
- 4. BLOWER
- 5. SK 1
- 6. LAMPU
- 7. AC
- 8. SK BARAT
- 9. SK2
- 10. KAMAR ASAM



**KETERANGAN**

- A = EXHAUST
- B = OVEN
- C = FURNACE
- D = LEMARI ES
- E = MESIN
- F = FIRE ALARM
- G = KAMAR ASAM
- H = NERACA
- I = Ph METER
- J = STAVOLT

**KETERANGAN**  
SK = STOP KONTAK

Drawn By :	Date :	Approved By :	Date :	File Name :
1. AGUS RUBYANTO,ST.	12/12/18	1. JUWARI,S.T.,M.Eng.,Ph.D.		Instalasi Listrik
2. FAUZI,ST.		2. SETYO GUNAWAN,S.T.,Ph.D.		Gedung Ndwg

**GEDUNG N**  
DEPARTEMEN TEKNIK KIMIA

**LAB. BIOMASSA DAN KONVERSI ENERGI**  
INSTITUT TEKNOLOGI SEPULUH NOPEMBER

Floor: 2nd  
Revision: 0